

TD3-SDXSEC9X-9W Data Sheet

Features (產品特徵)

- ◆ Light source: SMD LED
(光源: SMD LED)
- ◆ NO UV or IR light radiation
(沒有紫外線和紅外線輻射光)
- ◆ Full range of white colors available
(白光全系列色溫都可選擇)
- ◆ Long Lifetime > 40000 hours
(壽命 > 50000 小時)
- ◆ Power consumption up to **9W** for
Hole diameter **95 mm**
(消耗功率: **9W**, 開孔直徑: **95MM**)
- ◆ Illuminant direction rotating 60 °
光源照射方向可轉動 60°
- ◆ No mercury and ROHS compliant
(沒有汞可通過無鉛環保認證)



Typical Applications (典型應用)

- ◆ Indoor Lighting (室內照明)
- ◆ Architectural Lighting (建築照明)
- ◆ Office Lighting (辦公照明)

Product Specifications (產品規格)

Parameter (參數)	Description (描述)
Optical lens (透光罩)	Plastic Cover optical lens (光學透鏡)
Housing (主體)	Anodizing Aluminum (鋁合金)
Operation Temperature (操作溫度)	-20°C ~ +40°C
Storage Temperature (儲存溫度)	-40°C ~ +70°C
Ac to DC Power Supply (驅動電源參數)	AC input and 36 VDC (max) /Constant current 135mA output (最大電壓 DC36V/恒電流 135MA)

TD3-SDXXEC9X-9W Data Sheet

Part Number Explanation

Model(產品類型)	Special code(尺寸規格)	LED Type(LED 類型)
TD3 -SDXXEC9X-59W	TD 3 -SDXXEC9X-9W	TD3- S DXXEC9X-9W
TD: Down Light (小天花燈)	2: 2.5" (2.5 寸)	S: SMD LED

CRI(顯色指數)	CCT(色溫)	Cover(PC 罩放置面)
TD3-SD D XXEC9X-9W	TD3-SD X XXEC9X-9W	TD3-SDXX E C9X-9W
D: ≥ 80 Ra	30: 2500~3500K	E: 25°
	40: 3500~4500K	H: 45°
	60: 5500~6500K	K: 60°

Input Voltage(使用電壓)	Power Factor(功率因數)	Power Specification (電源類型)
TD3-SDXXE C 9X-9W	TD2-SDXXEC 9 X-9W	TD2-SDXXEC9 X -9W
A: AC 175~265V	8: PF ≥ 0.9	C: Power with CE(有 CE 電源)
B: AC 90~140V	5: No Factor (無功率因數)	F: Power without CE(無 CE 電源)
C: AC 90~265V		

Wattage(消耗功率)	
TD2-SDXXEC8X- 9W	
9W : 9W	

Photoelectric parameters (光電參數)

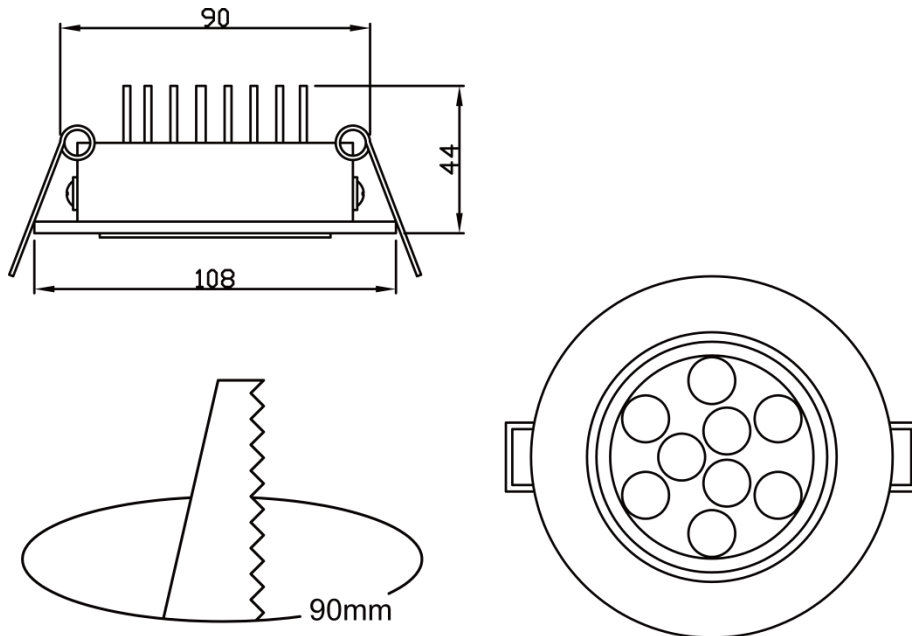
Model No. (產品型號)		TD3-SDXXEC9X-9W	
Parameter (參數)		Min.	Typ.
Power Consumption (W) (消耗功率)			9
Net Weight (g) (產品重量)			225
Power Supply Weight (g) (驅動電源重量)			25
View Angle (°) (發光角度)			25°
D30(2500~3500K)	Luminous Flux (lm) (光通量)		670
D40(3500~4500K)	Illuminance @ 1m (lux) (1 米照度)	2100	
D60(5500~6500K)	Luminous Flux (lm) (光通量)		750
	Illuminance @ 1m (lux) (1 米照度)	2300	

Power Consumption, Weight, Luminous flux measurement allowance is $\pm 15\%$.

All specifications involving life and performance are based upon a 25°C ambient temperature. (以上資料公差為 $\pm 15\%$ 、測試的資料是在25°C的環境溫度下進行)

TD3-SDXEC9X-9W Data Sheet

Mechanical Dimensions (產品尺寸圖)

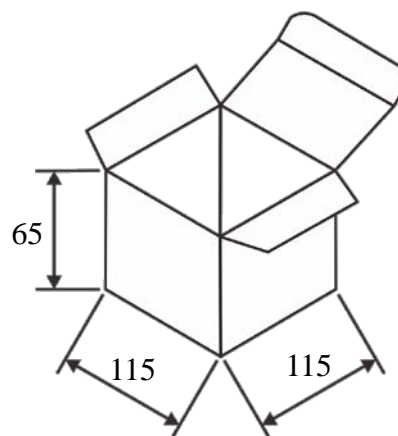


Notes(注釋): 1. Dimensions are in millimeters (上圖尺寸資料單位為: MM)

2. Tolerances unless dimensions $\pm 0.5\text{mm}$ (沒注公差的數據公差為: $\pm 0.5\text{mm}$)

Dimensions of Carton (產品包裝)

1. Single Unit: (內盒)

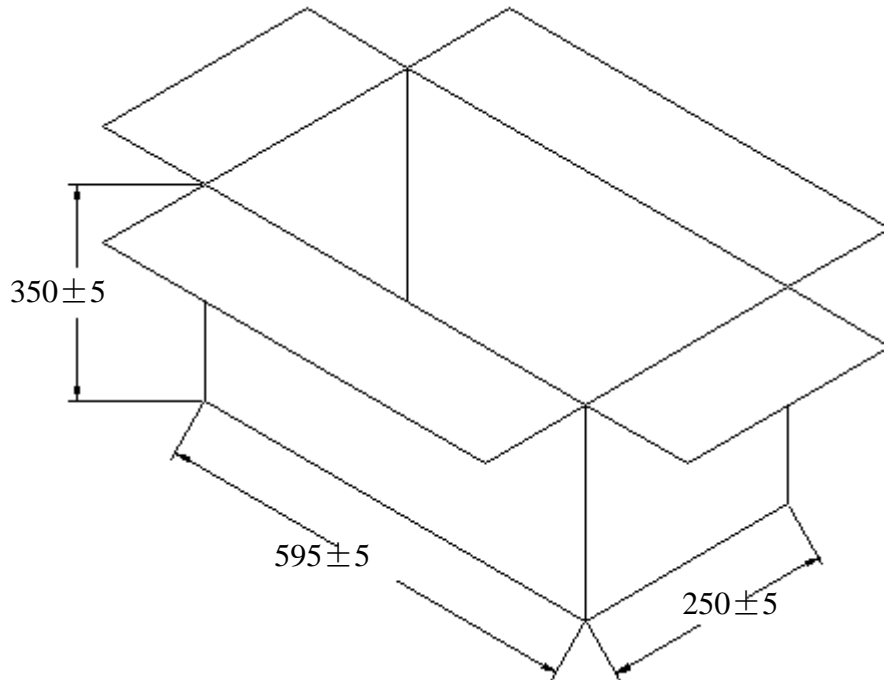


Notes(注釋): 1. Dimensions are in millimeters (上圖尺寸資料單位為: MM)

2. Tolerances unless dimensions $\pm 2.5\text{mm}$ (沒注公差的數據公差為: $\pm 2.5\text{mm}$)

Carton: 60 PCS Unit Boxes (60 個為一箱)

TD3-SDXSEC9X-9W Data Sheet



Notes: Dimensions are in millimeters. (上圖尺寸資料單位為：MM)